

# ULTRAMED 10 to 18

## Breathing Air Purifier



### ULTRAMED INTENDED USE

The five stage breathing air purifier ULTRAMED (012 to 080) was specifically developed for generating medical air quality in accordance with the European Pharmacopoeia.

The new system is suitable both for the outfit of new systems and for modification of existing plants. In particular the small models also allow a retrofit under cramped spatial circumstances.

The problem-free parallel operation of two units is guaranteed by the integrated flow limiters without additional switching components.

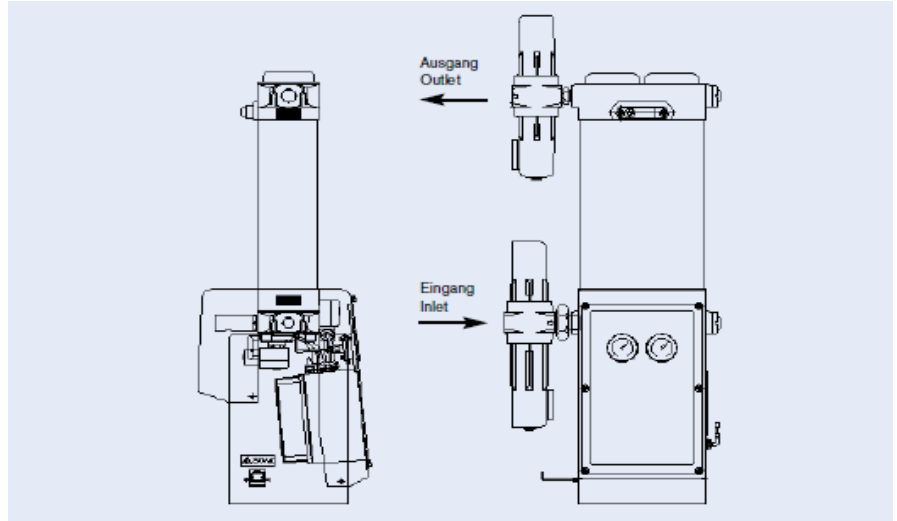
ULTRA CONTROLO plants for medical compressed air correspond to the requirements of EN ISO 7396-1.

- Air quality according to the European Pharmacopoeia
- Low operating cost through Energy Management System with Dew Point Dependant Switching
- Space-saving, packaged design
- Simple modification of existing plants without additional control panels
- Intelligent control for monitoring system functioning
- Continuous dew point measurement

## FUNCTIONING

The five stages of the ULTRAMED for compressed air preparation are in detail:

1. a pre-filter stage for the removal of oil and water aerosols as well as solid particles down to 0.01  $\mu$
2. a high-performance activated charcoal filter for adsorption of oil vapours and odours with a residual oil content of 0.01 mg/m<sup>3</sup>
3. a heatless desiccant dryer, that reduces the available water vapour in the air down to a pressure dew point of -40°C and simultaneously maintains levels of carbon dioxide (CO<sub>2</sub>)-, nitrogen monoxide (NO)-, nitrogen dioxide (NO<sub>2</sub>)- and sulphur dioxide (SO<sub>2</sub>)- below the legally allowed limits
4. a hopcalite filter at the outlet of the dryer, that converts CO by oxidation into CO<sub>2</sub> and absorbs CO<sub>2</sub> Chemically
5. a dust filter in the last stage.



## DESIGN FEATURES

- Dew point dependant switching for minimization of regeneration air
- Easy, bulk design through aluminium extrusion moulding profiles
- Flow limiter for parallel operation without further switching components
- Long-term corrosion protection by aluminium chromating and epoxy coating
- Continuous dew point measurement in the outgoing air
- Control system with valve monitoring and emergency switching
- Visual display and collecting malfunction alarm for dew point and valves
- Designed for working pressures of up to 16 bar

Technical data	
<b>Air quality</b>	
<b>Water</b>	-40°C pressure dew point
	- 56°C atmosph. dew point
<b>Oil</b>	<0.01 mg/m <sup>3</sup>
<b>CO<sub>2</sub></b>	300 ppm
<b>CO</b>	5 ppm
<b>NO/NO<sub>2</sub></b>	2 ppm
<b>SO<sub>2</sub></b>	1 ppm
<b>Operating pressure</b>	max. 16 bar
<b>Sound level (at pressure release)</b>	<75 dB(A) at 7 bar

Type	Order no	Capacity m <sup>3</sup> /h <sup>1)</sup>	Dimension W x H x D in mm	Weight Kg
<b>ULTRAMED 10</b>	053.00.00001	40.0	364 x 1045 x 302	38
<b>ULTRAMED 11</b>	053.00.00002	53.0	387 x 1211 x 302	43
<b>ULTRAMED 12</b>	053.00.00003	70.0	387 x 1376 x 302	48
<b>ULTRAMED 13</b>	053.00.00004	90.0	387 x 1541 x 302	53
<b>ULTRAMED 14</b>	053.00.00005	110.0	419 x 1707 x 302	58
<b>ULTRAMED 15</b>	053.00.00006	144.0	732 x 1960 x 447	74
<b>ULTRAMED 16</b>	053.00.00007	179.0	400 x 1680 x 1200	217
<b>ULTRAMED 17</b>	053.00.00008	220.0	400 x 1846 x 1200	230
<b>ULTRAMED 18</b>	053.00.00009	288.0	745 x 2076 x 1200	285

<sup>1)</sup> related to air at STP / measured at 7 bar and 35°C inlet temperature

Head Office:  
Parque Industrial Quinta Lavi, Armz. 8, Abrunheira - 2710-089 SINTRA – PORTUGAL  
Tel: +351-219154350 Fax: +351-219259002 GSM: +351 91 301 0819  
E-mail: [international@ultra-controlo.com](mailto:international@ultra-controlo.com) [www.ultracontrolo.com](http://www.ultracontrolo.com)

